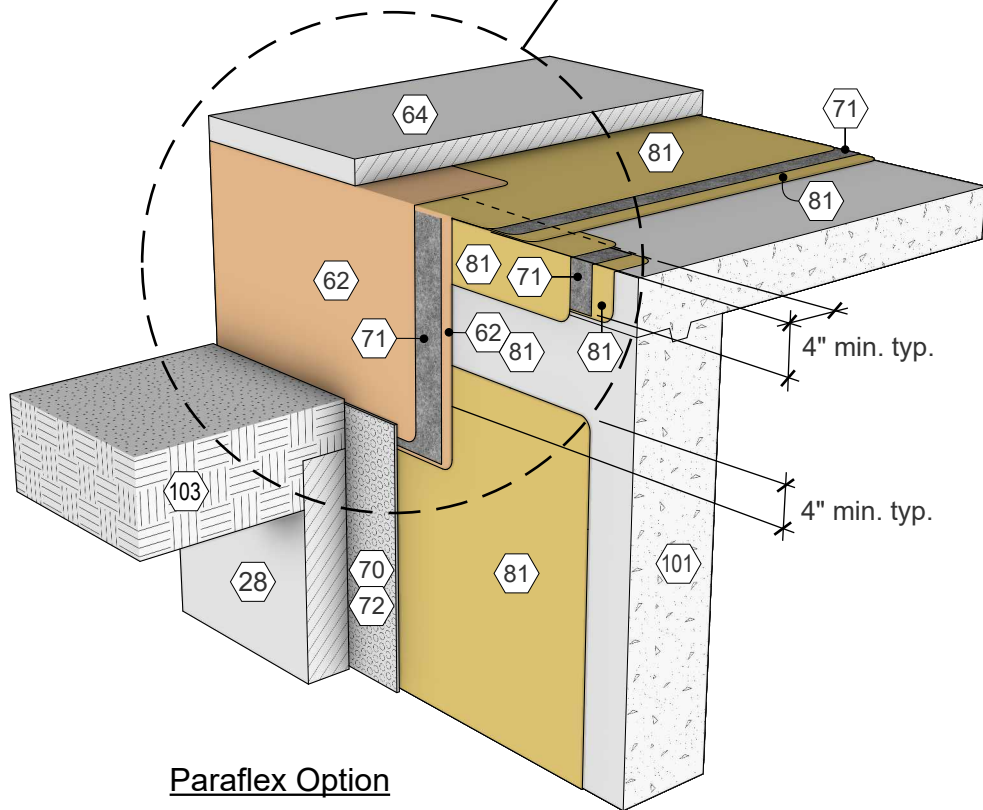


Metal Counterflashing Option



ParaFlex Option

0Keynote Reference Summary

- <25> Termination bar
- <26> Metal Counter Flashing
- <28> Soil Retention System
- <64> Waterproofing Overburden
- <62> Siplast ParaFlex
- <70> Siplast TeraPROOF 10-11 Drainage Mat
- <71> Siplast Pro Fleece
- <72> Siplast TeraPROOF Protection CS1000
- <81> Siplast TeraPROOF STP Liquid Membrane
- <101> Concrete Structure
- <103> Sub Grade

Refer to TeraPROOF Installer's Guide for detailed instructions regarding the specific products, personal protection, storage, handling, relevant codes, installation tools, substrate preparation, and general application guidelines. Coordinate installation of Siplast TeraPROOF products with the adjoining and subsequent trades to ensure compatibility and continuity with the roofing, waterproofing, and above-grade facade systems.

1. For the vertical wall areas, follow detail 05f *Post-Applied Liquid - Foundation* and detail 05m *Post-Applied Liquid - Termination at Grade*, and for horizontal applications follow detail 07x *Post-Applied Liquid - Protected Horizontal Waterproofing*. Follow the referenced details and installer's guide for the applications of <81> **Siplast TeraPROOF STP Liquid Membrane**, <71> **Siplast Pro Fleece**, and <70> **Siplast TeraPROOF 10-11 Drainage Mat** and <72> **Siplast TeraPROOF Protection CS1000**.
2. At the corner transition from vertical to horizontal, apply a first coat of 60 mils (1.5 mm) of <81> **Siplast TeraPROOF STP Liquid Membrane** at the corner area, extending in at least 4 inches in both directions from the corner. Immediately place the <71> **Siplast Pro Fleece** reinforcement fabric into the still-wet membrane. Apply a second coat of <81> **Siplast TeraPROOF STP Liquid Membrane** 60 mils (1.5 mm) thick over the reinforcement fabric extending a minimum of 1/4 inch (6 mm) beyond the reinforcement fabric.
- 3a. UV Exposed ParaFlex Option: For areas that will experience extended UV exposure, apply <62> **Siplast ParaFlex Systems** to the vertical wall. Ensure the ParaFlex application area extends 4 inches beyond the permanent UV exposure area. Ensure the ParaFlex overlaps the <81> **Siplast TeraPROOF STP Liquid Membrane** a minimum of 4 inches. All additional requirements in the Siplast ParaFlex System Installer's Guide must also be followed.
- 3b. *Metal Counterflashing Option*: For areas that will experience extended UV exposure, cover the <81> **Siplast TeraPROOF STP Liquid Membrane** with a <26> **Metal Counter Flashing**. Ensure the metal flashing area extends 4 inches beyond the permanent UV exposure area of the membrane below. Seal fastener penetrations additional <81> **Siplast TeraPROOF STP Liquid Membrane**.
4. Install subsequent coats of <81> **Siplast TeraPROOF STP Liquid Membrane** or <62> **Siplast ParaFlex Systems** within 72 hours of the initial application. For additional coats and at tie-ins, ensure the surface is clean and free of foreign materials that may interfere with adhesion.