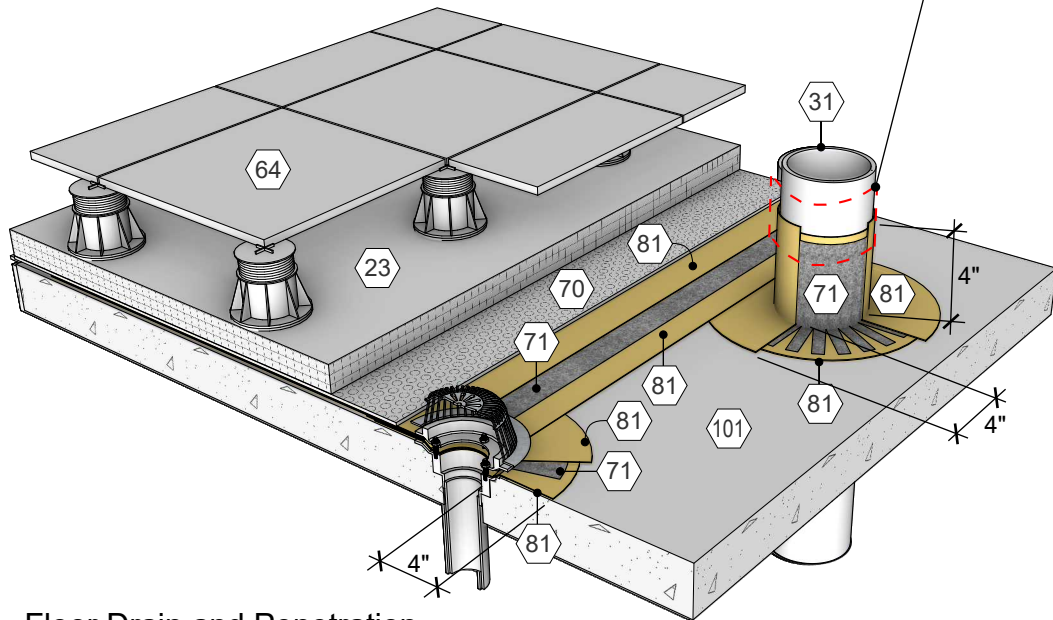


Wall Penetration

UV Exposure Treatment Option



Floor Drain and Penetration

Keynote Reference Summary

- <06> Siplast PS-715 NS Elastomeric Sealant
- <23> Insulation
- <31> Pipe or penetration
- <62> Siplast Paraflex Liquid Membrane
- <64> Waterproofing Overburden
- <70> Siplast TeraPROOF 10-11 Drainage Mat or Siplast Paradrain Mat
- <71> Siplast Pro Fleece
- <81> Siplast TeraPROOF STP Liquid Membrane
- <101> Concrete Structure

Refer to TeraPROOF Installer's Guide for detailed instructions regarding the specific products, personal protection, storage, handling, relevant codes, installation tools, substrate preparation, and general application guidelines. Coordinate installation of Siplast TeraPROOF products with the adjoining and subsequent trades to ensure compatibility and continuity with the roofing, waterproofing, and above-grade facade systems.

1. Ensure <31> pipes, drains, equipment, etc. to be flashed are clean, prepared, and secured to prevent movement, and gaps and joints between substrates are sealed using <06> **Siplast PS-715 NS Elastomeric Sealant** or a compatible approved sealant before applying the TeraPROOF materials.
2. Before applying the <81> **TeraPROOF STP Liquid Membrane**, pre-cut the <71> **Siplast Pro Fleece** reinforcement fabric to conform to flashings. Cut reinforcing to ensure the <81> **TeraPROOF STP Liquid Membrane** is fully reinforced and overlapped at finger-cuts, side-laps, and end-laps to eliminate skips or breaks in the reinforcement.
3. For reinforced flashings at pipe penetrations, apply a first coat of 60 mils (1.5 mm) of <81> **TeraPROOF STP Liquid Membrane** to a minimum of 4 inches (100 mm) on the penetration and a minimum of 4 inches (100 mm) beyond the penetration onto the substrate.
4. Immediately place the <71> **Siplast Pro Fleece** reinforcement fabric into the still wet <81> **TeraPROOF STP Liquid Membrane**. The reinforcement fabric should cover a minimum of 4 inches (100 mm) on the pipe penetration and a minimum of 4 inches (100 mm) beyond the penetration. Work the reinforcement fabric into the <81> **TeraPROOF STP Liquid Membrane** to prevent wrinkles. Ensure that the <71> **Siplast Pro Fleece** reinforcement fabric is adequately saturated and free of "dry" reinforcement, voids, air pockets, and wrinkles using recommended tools.
5. Apply a second coat of <81> **Siplast TeraPROOF STP Liquid Membrane** 60 mils (1.5 mm) thick over the <71> **Siplast Pro Fleece** reinforcement fabric extending a minimum of 1/4 inch (6 mm) beyond the reinforcement fabric.
6. Refer to Detail 07x Post-Applied Liquid - Protected Horizontal Waterproofing for the installation of the area surrounding the penetration with <81> **TeraPROOF STP Liquid Membrane**, <71> **Siplast Pro Fleece**, <70> **Siplast TeraPROOF 10-11 Drainage Mat**, and/or <64> **Waterproofing Overburden**.