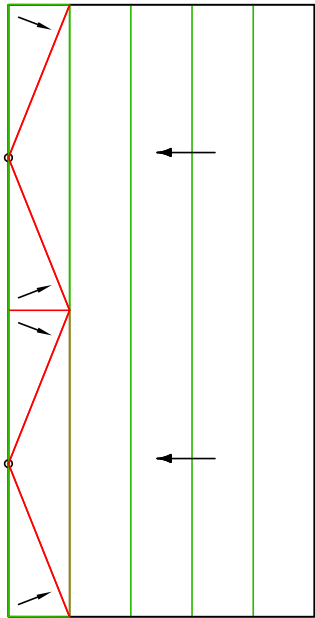


Standard Tapered Layout Designs

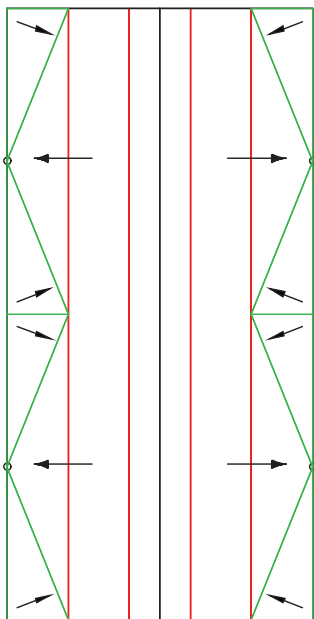
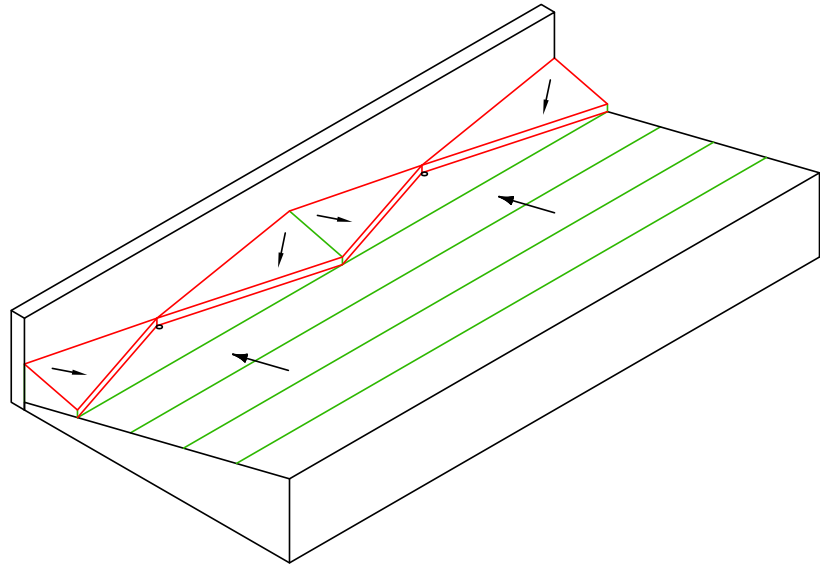
1-Way and 2-Way Slope to Drains and Scuppers



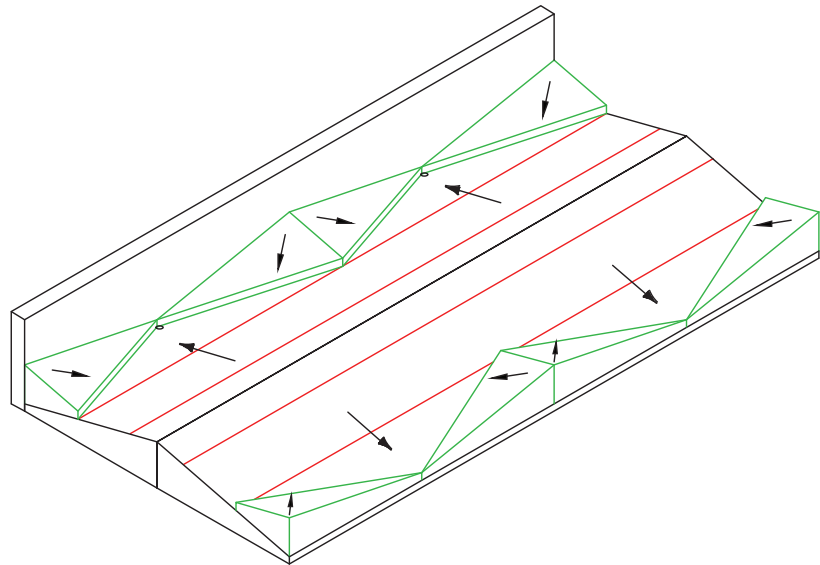
With you every step of the way™



1-Way Slope with Crickets



2-Way Slope to Drains / Scuppers



FOR MORE INFORMATION:

contact the Tapered Design Group at taper-request@siplast.com

Visit siplast.com