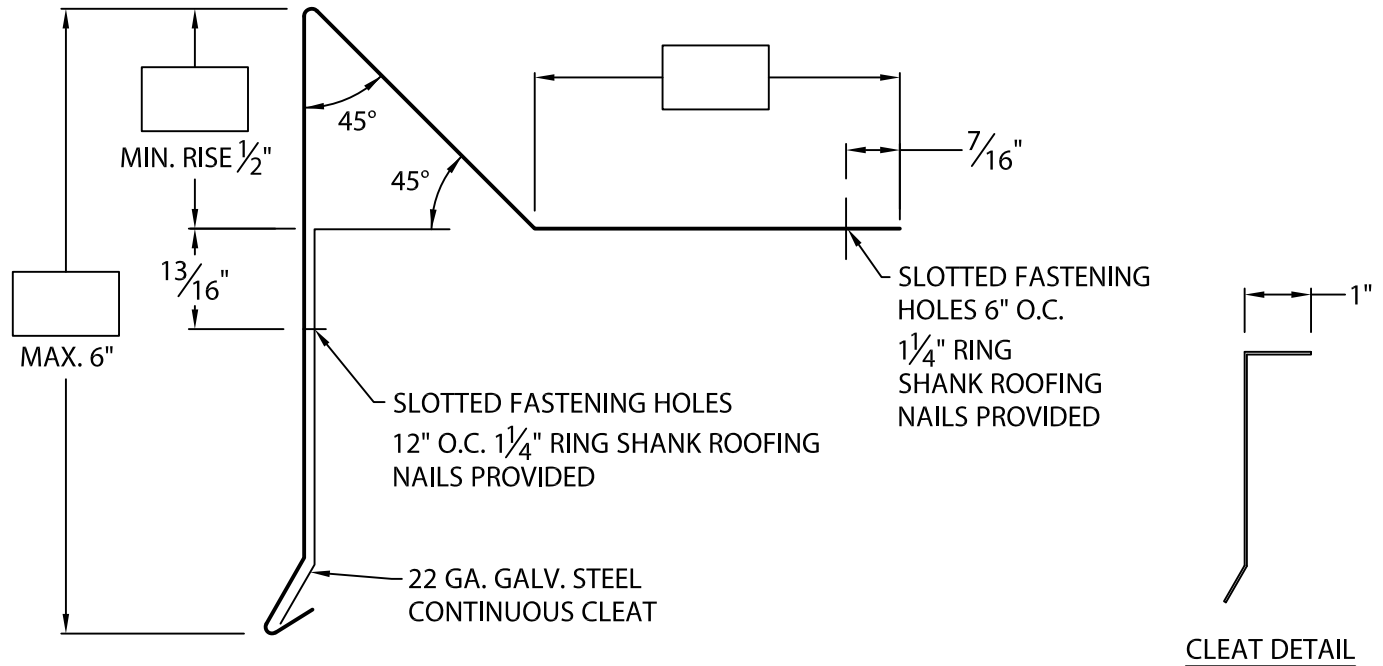




PROFORM M GRAVEL STOP

6" MAX. FACE HEIGHT WITH CONTINUOUS CLEAT VERSION

ANSI/SPRI/FM 4435/ ES-1 DESIGN PRESSURE OF 216 psf



FOR FACE SIZES OVER 6" SEE PRINT APPROVAL #44010-24961

NOTES:

- INCLUDES 6" WIDE CONCEALED SPLICE PLATES.
- CONCEALED SPLICE PLATES MUST BE FIELD CAULKED TO PREVENT WATER ENTRY.

Fabrication will proceed only after receipt of signed print approval.

Print Approval:

Contractor shall verify all dimensions, sizes and quantities. All products to be installed in strict accordance with Siplast's printed instructions.

Approved by: _____

Date: _____

* WELDED ACCESSORIES REQUIRE A MINIMUM MATERIAL THICKNESS OF .050".

MATERIAL:

- ____ 24 GA. GALVANIZED STEEL *
- ____ .040" ALUMINUM * COLOR: _____
- ____ .050" ALUMINUM FINISH: _____
- ____ .063" ALUMINUM
- ____ OTHER _____

QUANTITIES:

- _____ LINEAL FEET 12'-0" LENGTHS
- _____ OUTSIDE MITERS @ 90° (WELDED ONLY)
- _____ INSIDE MITERS @ 90° (WELDED ONLY)

FOR NON 90° MITERS SEE PRINT APPROVAL #44010-15636

PROJECT:

ROOFING CONTRACTOR:

SHIP TO ADDRESS:

CITY, STATE, ZIP:

PHONE: 800-922-8800

EMAIL: PGUARD@SIPLAST.COM



DATE: 12/10/18

DRN BY: JJC

CKD BY: SAK

SHT.# ____ OF ____

DWG# 44010-20399

E