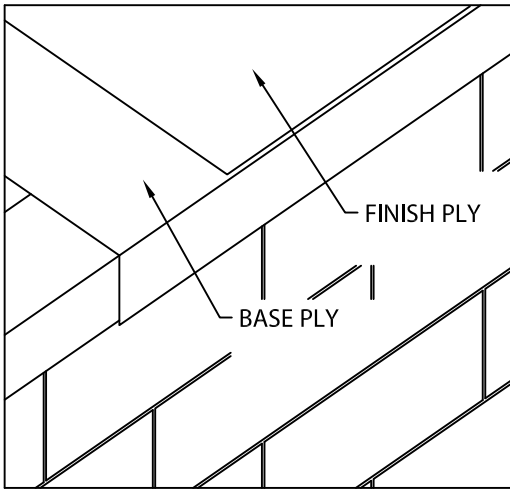




PARAGUARD EXTRUDED EDGE AT FASCIA

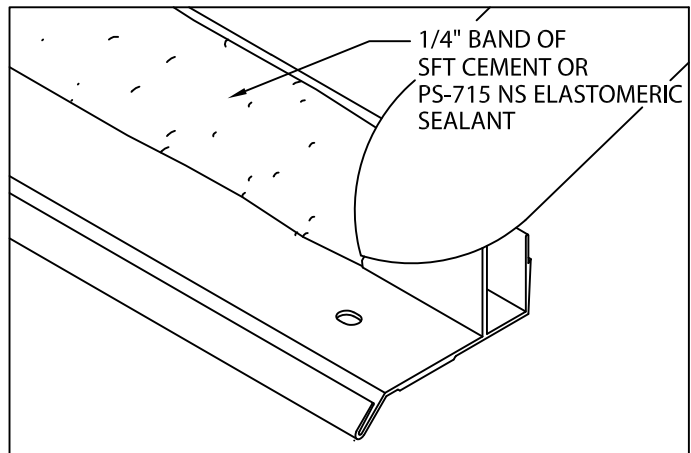
EXTENDED VERSION

INSTALLATION INSTRUCTIONS



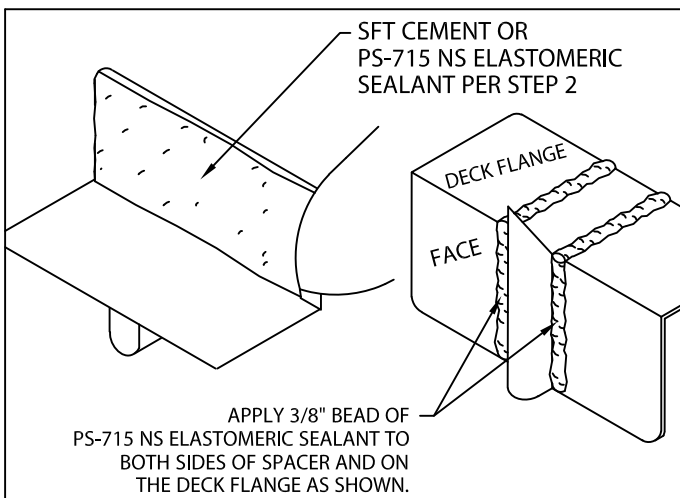
1. Roofing Membrane

Follow Siplast specifications and details for approved membrane configuration at the roof edge. Position modified membrane over the roof edge and down the outside face as shown.



2. Miter & Scupper Anchor Bar (Preparation)

Lay miters on deck with outside face down. Be sure aluminum anchor bar is clean and free of dirt or dust. Apply a 3" wide 1/4" thick band of SFT Cement or PS-715 NS Elastomeric Sealant to the back of the anchor bar as shown. Application of SFT Cement or PS-715 NS Elastomeric Sealant is required along the full length of each miter anchor bar.

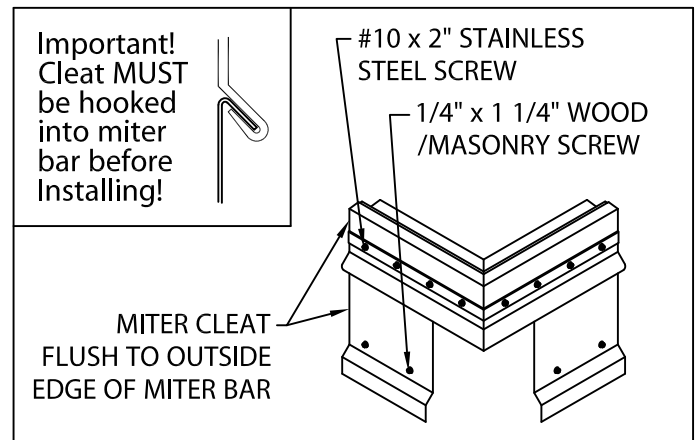


3. Anchor Bar Splice Plates

Apply SFT Cement or PS-715 NS Elastomeric Sealant to each splice plate as shown and as described in STEP 2.

CAUTION! Installers shall wear protective eyewear to prevent injury. Do not over-drive fasteners, as stripping can occur at high driver torque. Recommended driving tool: 600-800 rpm electric drill equipped with depth-sensing nosepiece to prevent over-driving and stripout.

Do not use impact type tool.



4. Miter Bar & Miter Cleat Installation

Hook miter cleat pieces to miter bar. Flush ends of miter cleat piece and miter bar. Install miter assembly with one anchor bar splice plate under each end of miter bar, anchor bar splice plate must be snug to the ends of the bar. Fasten the miter bar using 2" Hex head stainless steel fasteners. Fasten miter cleat using 1 1/4" hex head corrosion resistant fasteners. Fasteners and drive bits provided by Siplast.



PHONE: 800-922-8800
EMAIL: PGUARD@SIPLAST.COM

DATE: 12/11/18
DRN BY: JJC
CKD BY: SAK

SHT.# 1 OF 3
DWG# 44110-15639



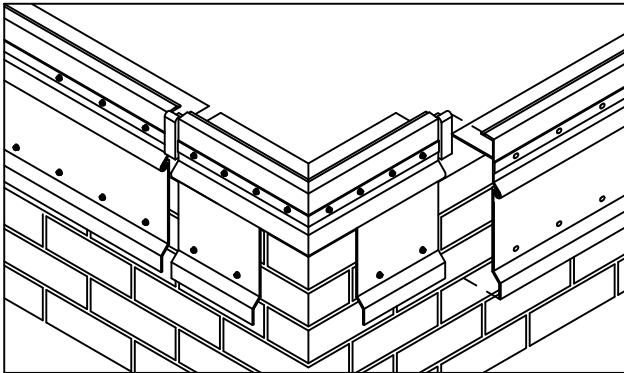


PARAGUARD EXTRUDED EDGE AT FASCIA

EXTENDED VERSION

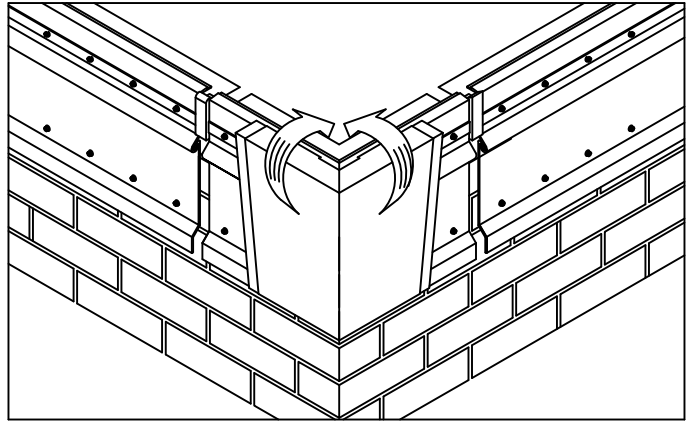
INSTALLATION INSTRUCTIONS

IMPORTANT! Be sure to remove protective plastic film prior to installing each fascia section.



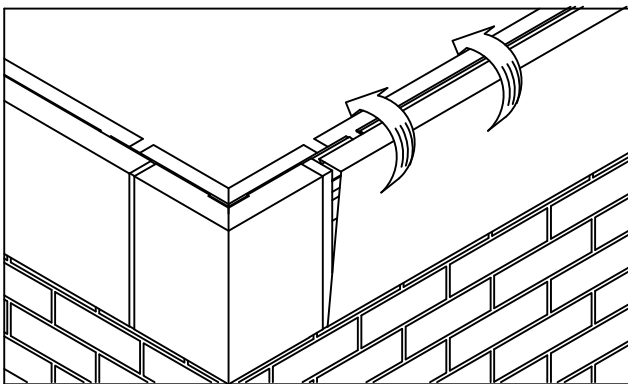
5. Anchor Bar & Cleat Installation

Hook anchor cleat to anchor bar as shown in step 5. Position 12' anchor bar/cleat sections with PS-715 NS Elastomeric Sealant as shown in step 3, overlapping anchor bar splice plate. Allow $\frac{1}{2}$ " space between anchor bars. Install anchor bar splice plate at other end of bar/cleat section. Fasten anchor bar 12" O.C. through slotted holes using provided 2" fasteners. Fasten anchor cleat 24" through slotted holes using provided $1\frac{1}{4}$ " fasteners. Field cut sections as necessary.



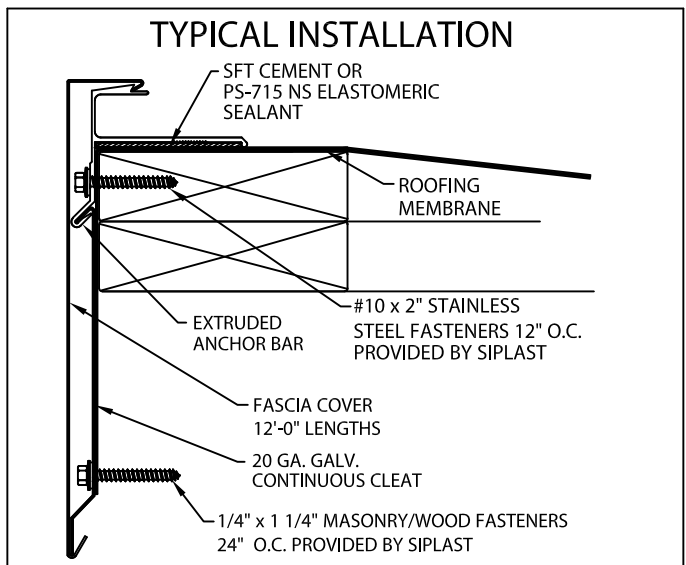
6. Fascia Miter Covers

Install miter covers first. Insert one splice plate under each end of miter cover. Install miter covers by engaging miter cover onto anchor cleat and rotating miter cover up and over anchor bar miter until engaged along entire length of the anchor bar.



7. Fascia Covers

Install 12'-0" fascia cover sections. Allow a $\frac{3}{8}$ " gap between fascia cover sections. Insert one splice plate under far end of each fascia cover section. Install cover by hooking lower edge of cover onto anchor cleat and rotating cover up and over anchor bar until engaged along entire length of cover section. Continue to install cover sections in this manner, field cutting where necessary using a fine tooth hacksaw.



U.S. Patent # 7,748,173 B1

IMPORTANT! Be sure to remove protective film prior to installing each fascia section.



PHONE: 800-922-8800
EMAIL: PGUARD@SIPLAST.COM

DATE: 12/11/18
DRN BY: JJC
CKD BY: SAK

SHT.# 2 OF 3
DWG# 44110-15639

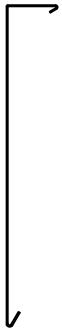
G

PARAGUARD EXTRUDED EDGE AT FASCIA

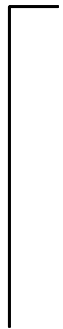
EXTENDED VERSION

INSTALLATION INSTRUCTIONS

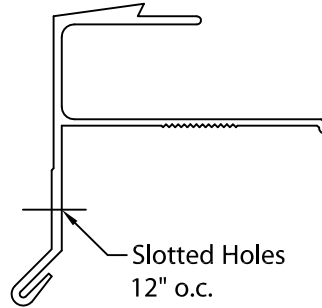
COMPONENT LIST



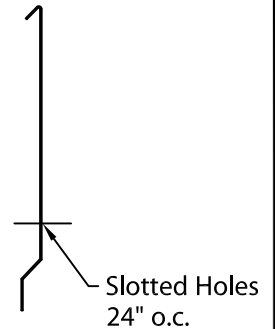
Fascia Cover
12'-0" Lengths



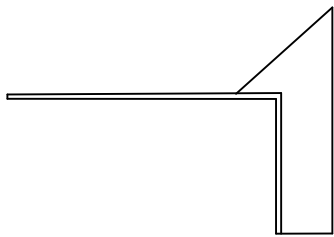
Cover Splice Plate
3 $\frac{1}{2}$ " Wide



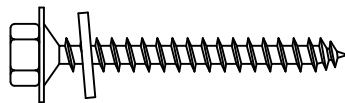
Extruded Anchor Bar
12'-0" Lengths



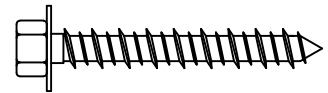
Continuous Anchor Cleat
12'-0" Lengths



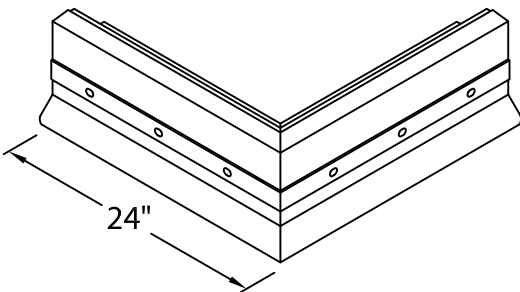
Anchor Bar Splice
3 $\frac{1}{2}$ " Wide w/ $\frac{3}{4}$ " EPDM Gasket



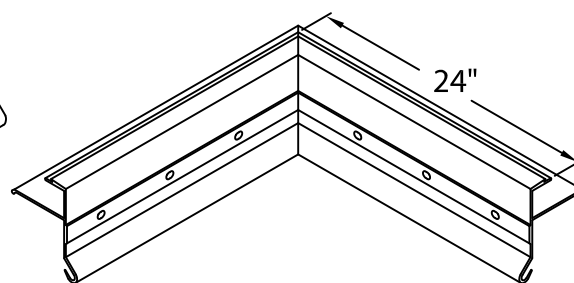
#10 X 2" Stainless Steel
Wood/Metal Screw w/ washer
for installing Anchor Bar



$\frac{1}{4}$ " X $1\frac{1}{4}$ "
Masonry/Wood Screw w/ washer
for installing Anchor Cleat



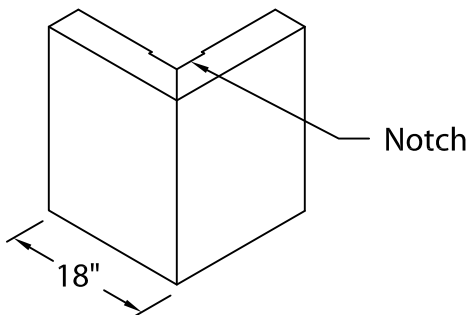
Anchor Bar Miter
Outside



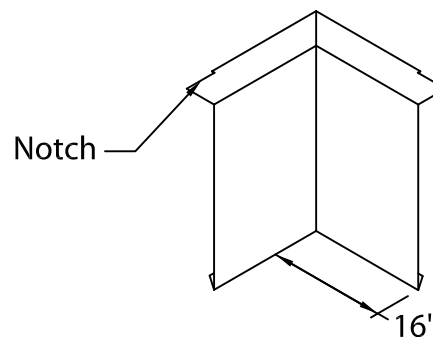
Anchor Bar Miter
Inside



Anchor Cleat for Miters
(2) 14" Long pcs. per miter



Fascia Cover
Outside Miter



Fascia Cover
Inside Miter



PHONE: 800-922-8800
EMAIL: PGUARD@SIPLAST.COM

DATE: 12/11/18
DRN BY: JJC
CKD BY: SAK

SHT.# 3 OF 3
DWG# 44110-15639

G