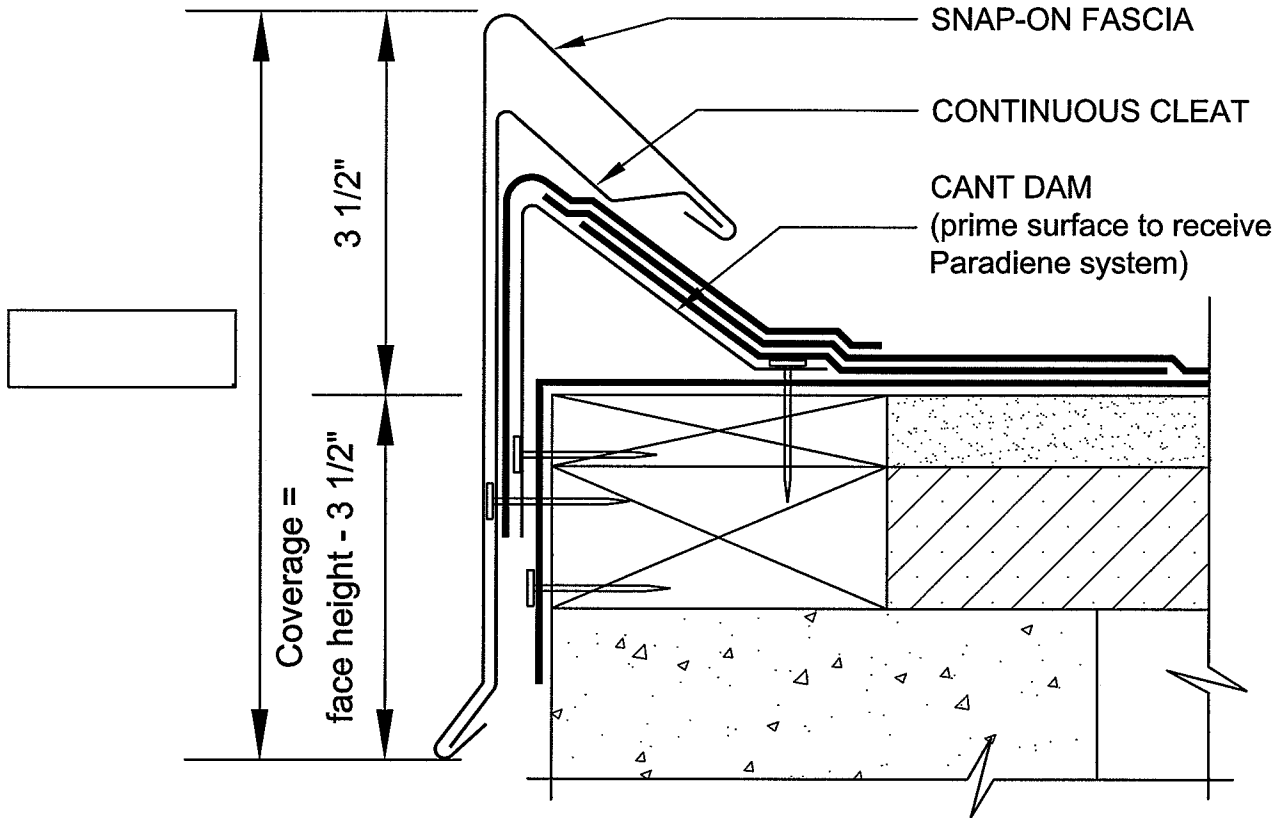




Paraguard Raised Edge

ORDER/SPECIFICATION FORM



| QUANTITY: | | MATERIAL | THICKNESS | FINISH |
|---------------------------------------|------------------------|---------------------------------------|-----------------------------------|--|
| ___ FT. TOTAL PERIMETER | ___ PCS STD. SUMP PANS | <input type="checkbox"/> ALUMINUM | <input type="checkbox"/> 0.050" | <input type="checkbox"/> COIL KYNAR |
| ___ RADIUS - LF | ___ PCS STD. SPILLOUTS | <input type="checkbox"/> GALV. STEEL | <input type="checkbox"/> 0.063" | <input type="checkbox"/> SPRAY KYNAR |
| ___ PCS STD. O.S. CORNER | ___ _____ | <input type="checkbox"/> STAIN. STEEL | <input type="checkbox"/> 24 GAUGE | <input type="checkbox"/> MILL |
| ___ PCS STD. I.S. CORNER | ___ _____ | | <input type="checkbox"/> _____ | <input type="checkbox"/> CLEAR ANODIZED |
| ___ PCS TRANSITION (attach sketch) | ___ _____ | | | <input type="checkbox"/> BRONZE ANODIZED |
| | | | | <input type="checkbox"/> BLACK ANODIZED |

SIPLAST PARAGUARD COLOR: SP _____

JOB NAME: _____ QUOTE NO: _____

LOCATION: _____

SHIP TO ADDRESS: _____

CONTRACTOR APPROVAL:

APPROVED FOR FABRICATION

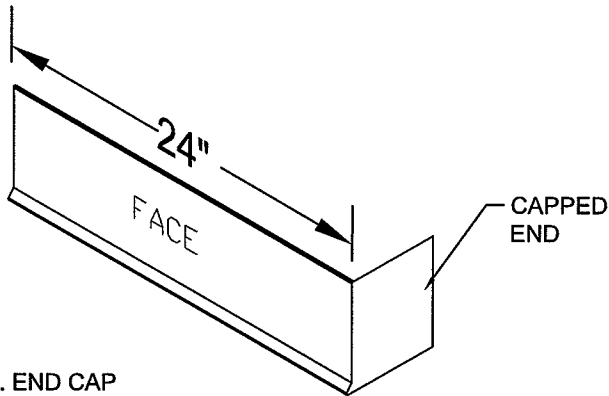
APPROVED WITH CHANGES

_____ CONTRACTOR NAME _____ CONTRACTOR REPRESENTATIVE

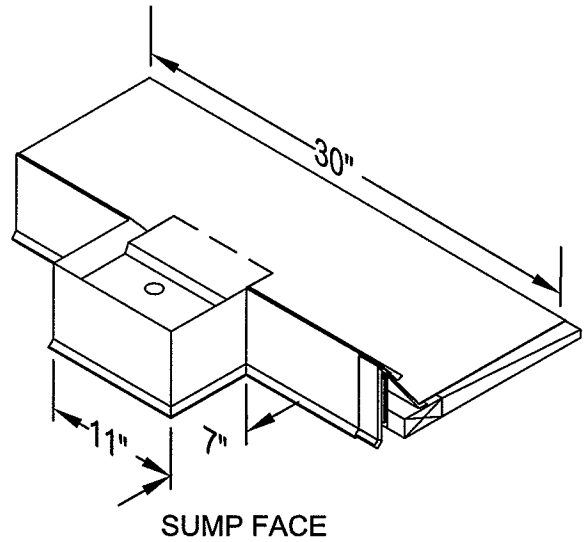
_____ DATE _____ CONTRACTOR SIGNATURE



Paraguard Raised Edge ORDER/SPECIFICATION FORM

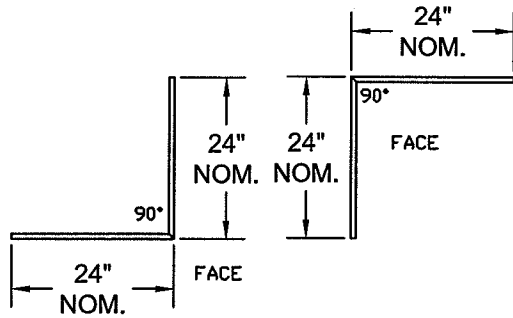


STD. END CAP
RIGHT HAND SHOWN



SUMP FACE

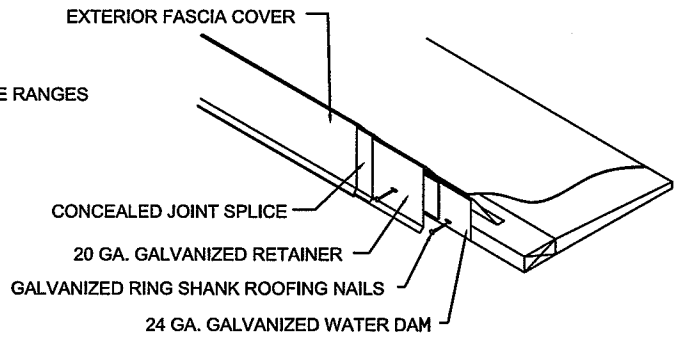
MINIMUM AND MAXIMUM SIZES AND MINIMUM GAUGES ARE INDICATED
INTERMEDIATE FORMED FASCIA SIZES MAY BE SPECIFIED WITHIN THESE RANGES



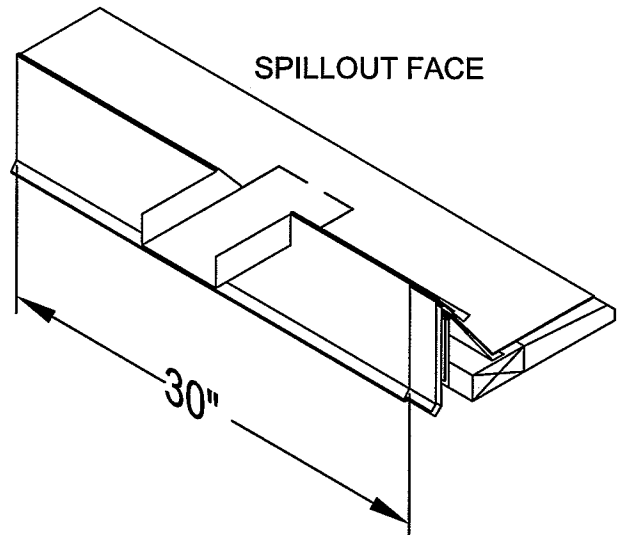
STD. OUTSIDE CORNER STD. INSIDE CORNER

Standard fascia corners are 90° x 24" x 24".

Standard end caps are 24" long with capped end.



SPILLOUT FACE



FOR SPECIAL CONDITIONS, ATTACH SKETCHES, AND CONSULT
SIPLAST TECHNICAL FOR ASSISTANCE.