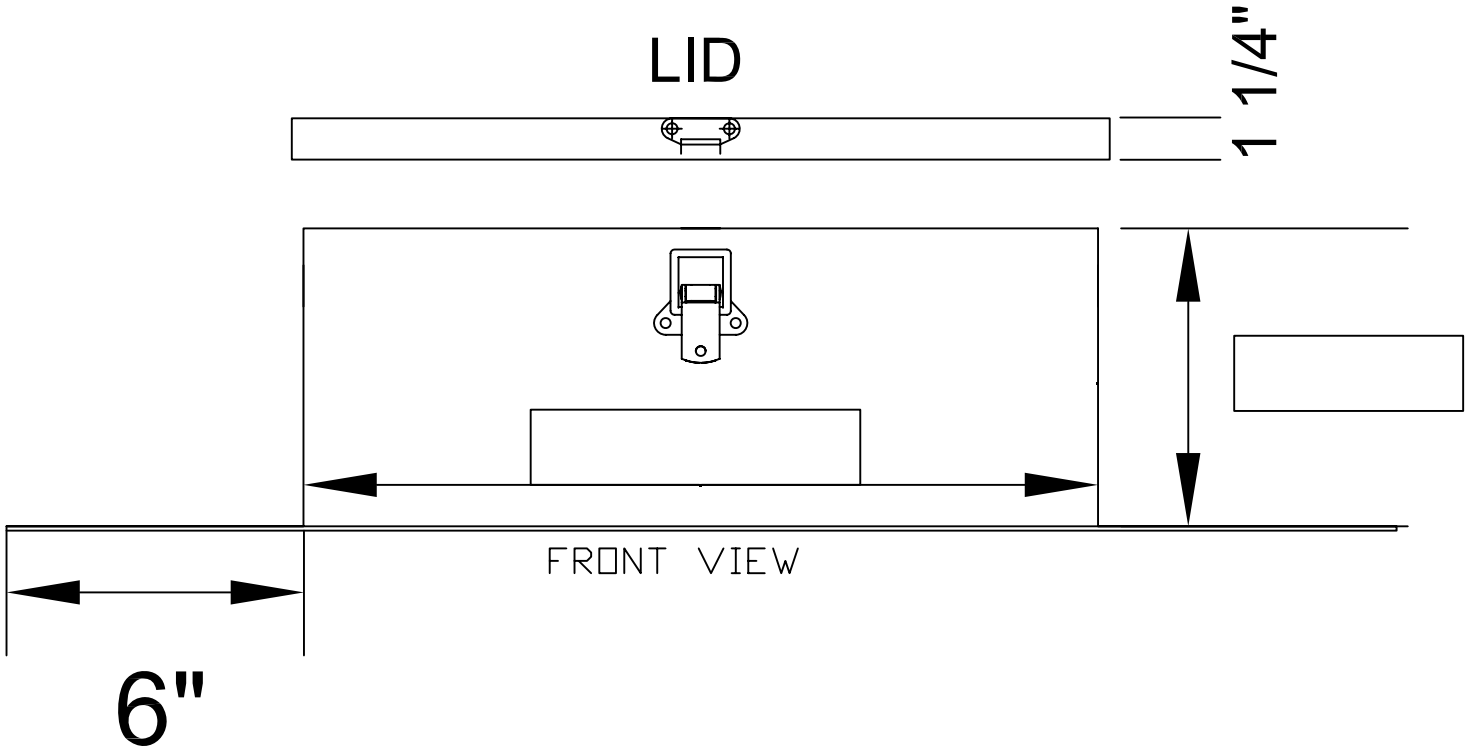




Paraguard Drain Chamber

ORDER/SPECIFICATION FORM



MATERIAL

ALUMINUM

THICKNESS

0.080"

QUANTITY _____

FINISH

- COIL KYNAR
- SPRAY KYNAR
- MILL
- CLEAR ANODIZED
- BRONZE ANODIZED
- BLACK ANODIZED

SIPLAST PARAGUARD COLOR: SP _____

JOB NAME: _____ QUOTE NO: _____

LOCATION: _____

SHIP TO ADDRESS: _____

CONTRACTOR APPROVAL: _____

APPROVED FOR FABRICATION

CONTRACTOR NAME

CONTRACTOR REPRESENTATIVE

APPROVED WITH CHANGES

DATE

CONTRACTOR SIGNATURE