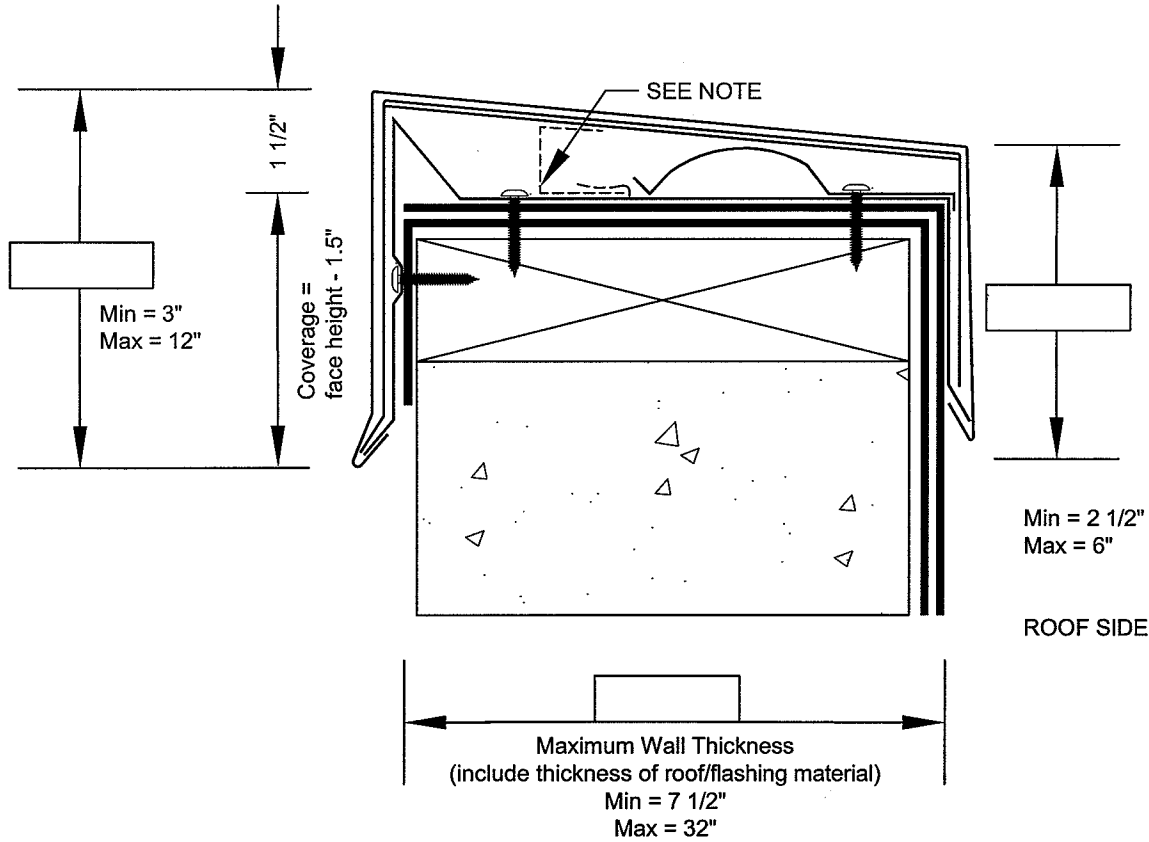




ORDER/SPECIFICATION FORM

Paraguard Coping



NOTE: 24 ga. galv. support channel formed in 10' lengths. Only used on walls 24" and greater.

QUANTITY:

_____ FT. TOTAL PERIMETER	_____ PCS END CAP - LEFT
_____ RADIUS L.F. (send templates)	_____ PCS END CAP - RIGHT
_____ PCS STD. O.S. CORNER	_____ PCS TRANSITION (attach sketch)
_____ PCS STD. I.S. CORNER	_____
_____ PCS CUSTOM CORNER (attach sketch)	_____

MATERIAL THICKNESS FINISH

<input type="checkbox"/> ALUMINUM	<input type="checkbox"/> 0.040"	<input type="checkbox"/> COIL KYNAR
<input type="checkbox"/> GALV. STEEL	<input type="checkbox"/> 0.050"	<input type="checkbox"/> SPRAY KYNAR
<input type="checkbox"/> STAIN. STEEL	<input type="checkbox"/> 0.063"	<input type="checkbox"/> MILL
	<input type="checkbox"/> 24 GAUGE	<input type="checkbox"/> CLEAR ANODIZED
	<input type="checkbox"/> _____	<input type="checkbox"/> BRONZE ANODIZED
		<input type="checkbox"/> BLACK ANODIZED

SIPLAST PARAGUARD COLOR: SP _____

JOB NAME: _____ QUOTE NO: _____

LOCATION: _____

SHIP TO ADDRESS: _____

CONTRACTOR APPROVAL:

APPROVED FOR FABRICATION

APPROVED WITH CHANGES

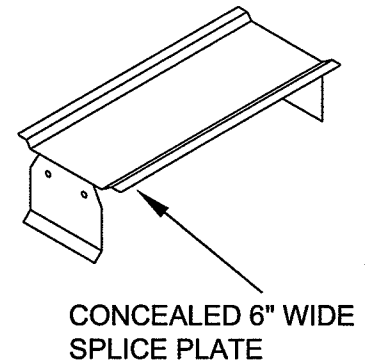
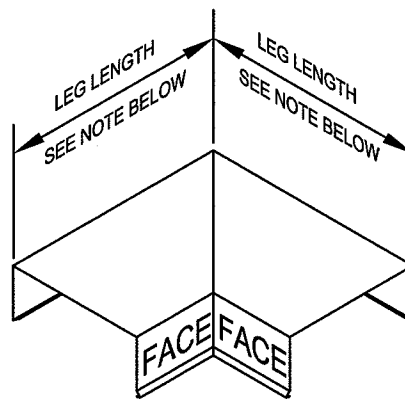
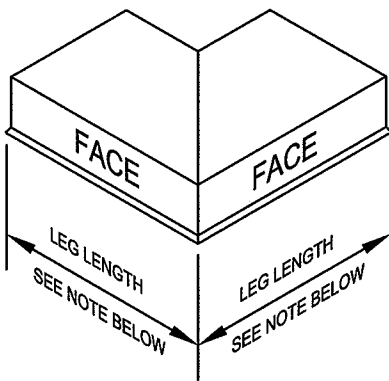
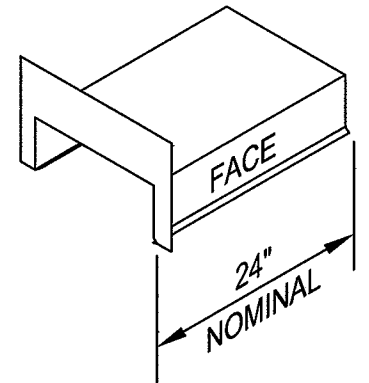
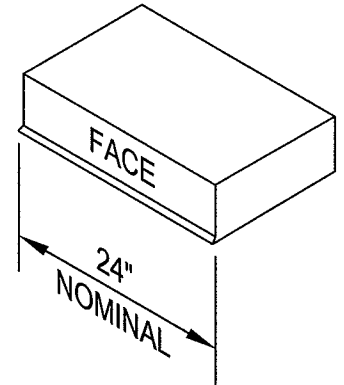
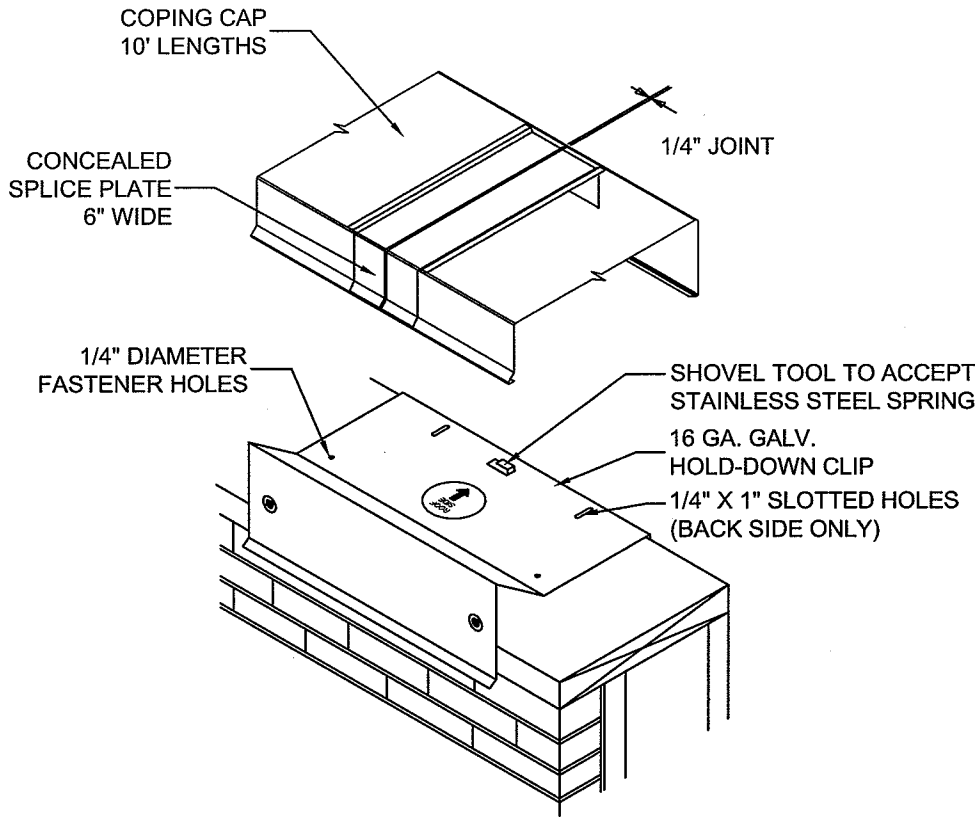
CONTRACTOR NAME

DATE

CONTRACTOR REPRESENTATIVE

CONTRACTOR SIGNATURE

Paraguard Coping for parapets 7 1/2" to 32"



STANDARD COPING CORNERS LEG LENGTHS:
 LENGTH = 23 1/4" FOR 7 1/2" - 16" WALL WIDTHS
 LENGTH = 29 1/4" FOR 17" - 23" WALL WIDTHS
 LENGTH = CUSTOM FOR WALL WIDTHS > 23"

FOR SPECIAL CONDITIONS, ATTACH SKETCHES, AND CONSULT
 SIPLAST TECHNICAL FOR ASSISTANCE.