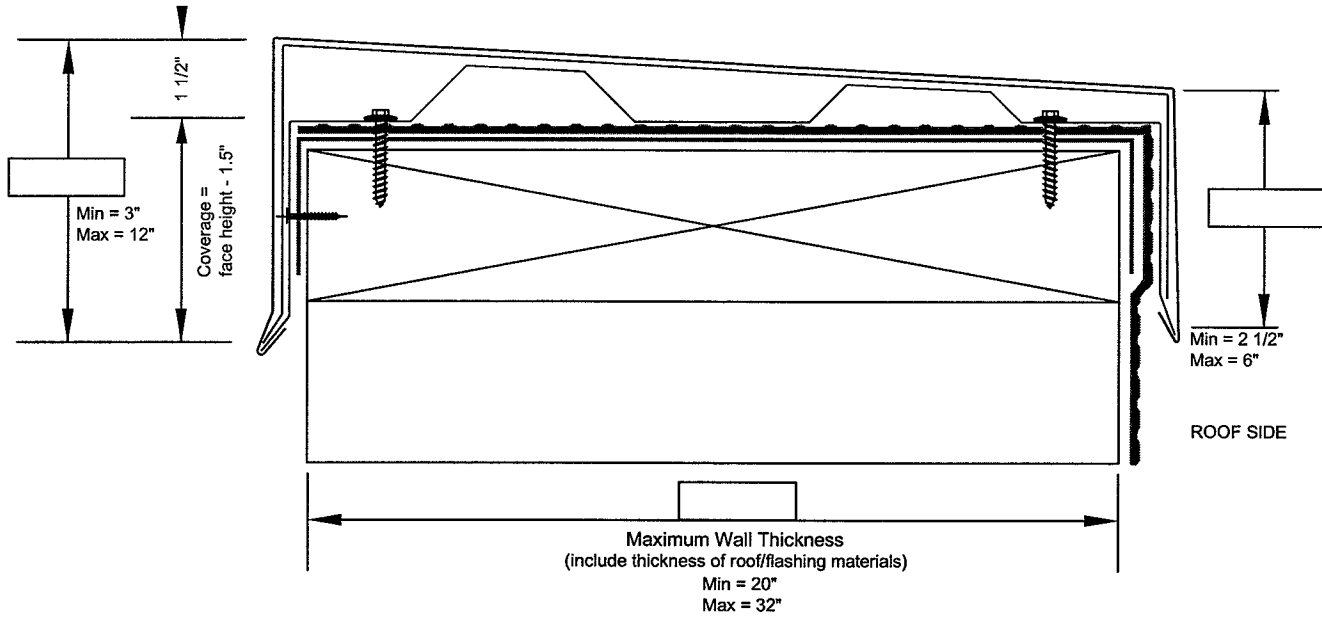




ORDER/SPECIFICATION FORM

Paraguard Coping for parapets 20" to 32"



QUANTITY:

_____ FT. TOTAL PERIMETER	_____ PCS END CAP - LEFT
_____ RADIUS L.F. (send templates)	_____ PCS END CAP - RIGHT
_____ PCS STD. O.S. CORNER	_____ PCS TRANSITION (attach sketch)
_____ PCS STD. I.S. CORNER	_____
_____ PCS CUSTOM CORNER (attach sketch)	_____

MATERIAL THICKNESS FINISH

<input type="checkbox"/> ALUMINUM	<input type="checkbox"/> 0.040"	<input type="checkbox"/> COIL KYNAR
<input type="checkbox"/> GALV. STEEL	<input type="checkbox"/> 0.050"	<input type="checkbox"/> SPRAY KYNAR
<input type="checkbox"/> STAIN. STEEL	<input type="checkbox"/> 0.063"	<input type="checkbox"/> MILL
	<input type="checkbox"/> 24 GAUGE	<input type="checkbox"/> CLEAR ANODIZED
	<input type="checkbox"/> _____	<input type="checkbox"/> BRONZE ANODIZED
		<input type="checkbox"/> BLACK ANODIZED

SIPLAST PARAGUARD COLOR: SP \_\_\_\_\_

JOB NAME: \_\_\_\_\_ QUOTE NO: \_\_\_\_\_

LOCATION: \_\_\_\_\_

SHIP TO ADDRESS: \_\_\_\_\_

CONTRACTOR APPROVAL: \_\_\_\_\_

APPROVED FOR FABRICATION

CONTRACTOR NAME

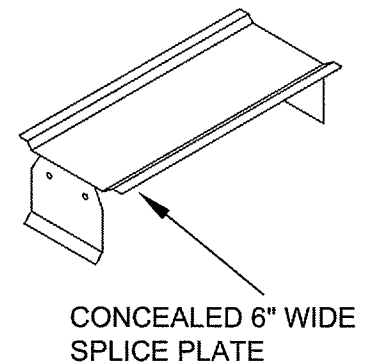
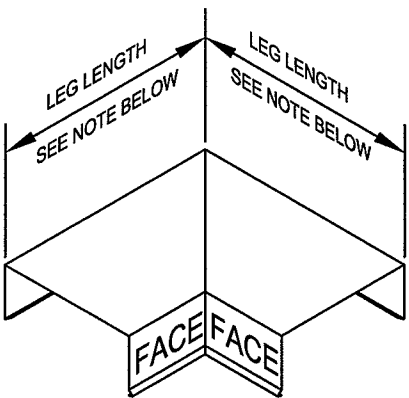
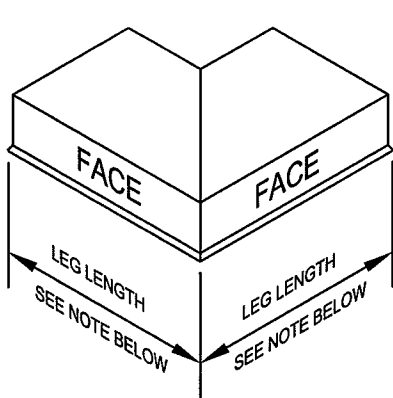
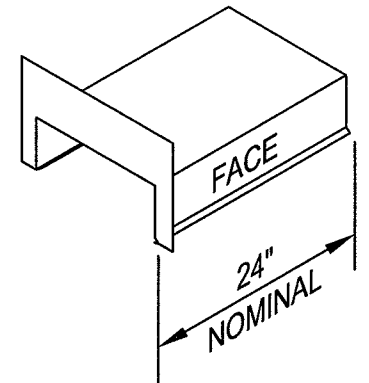
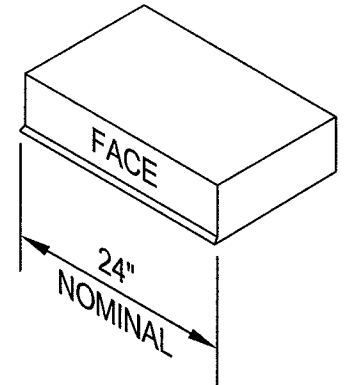
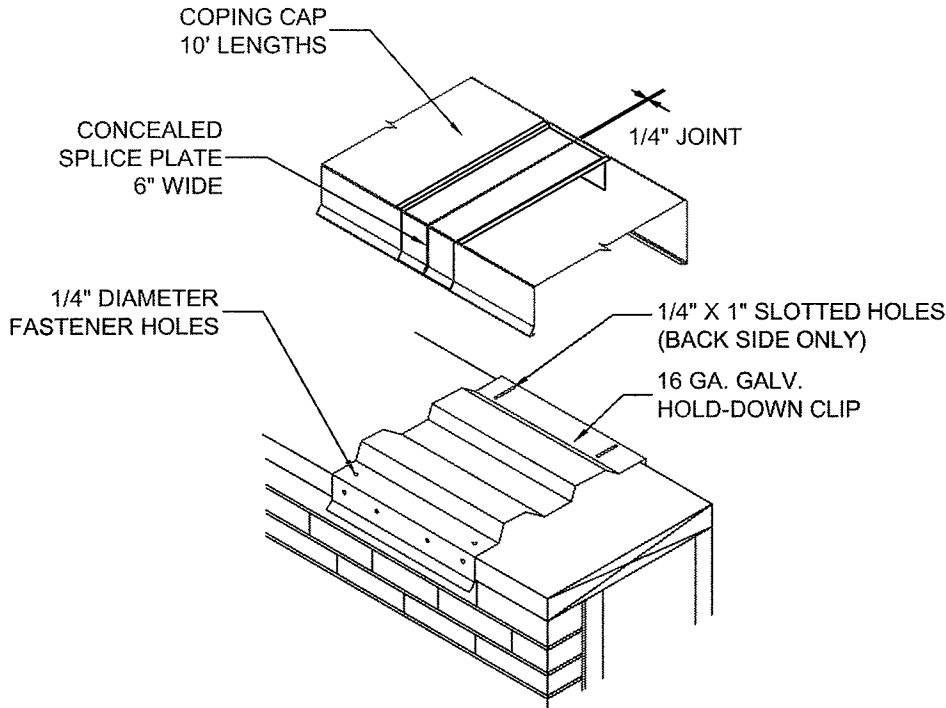
CONTRACTOR REPRESENTATIVE

APPROVED WITH CHANGES

DATE

CONTRACTOR SIGNATURE

# Paraguard Coping for parapets 20" to 32"



STANDARD COPING CORNERS LEG LENGTHS:  
 LENGTH = 23 1/4" FOR 6" - 16" WALL WIDTHS  
 LENGTH = 29 1/4" FOR 17" - 23" WALL WIDTHS  
 LENGTH = CUSTOM FOR WALL WIDTHS > 23"

FOR SPECIAL CONDITIONS, ATTACH SKETCHES, AND CONSULT SIPLAST TECHNICAL FOR ASSISTANCE.