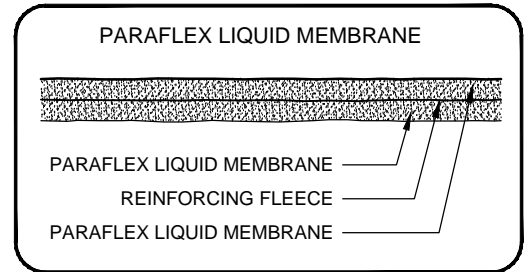
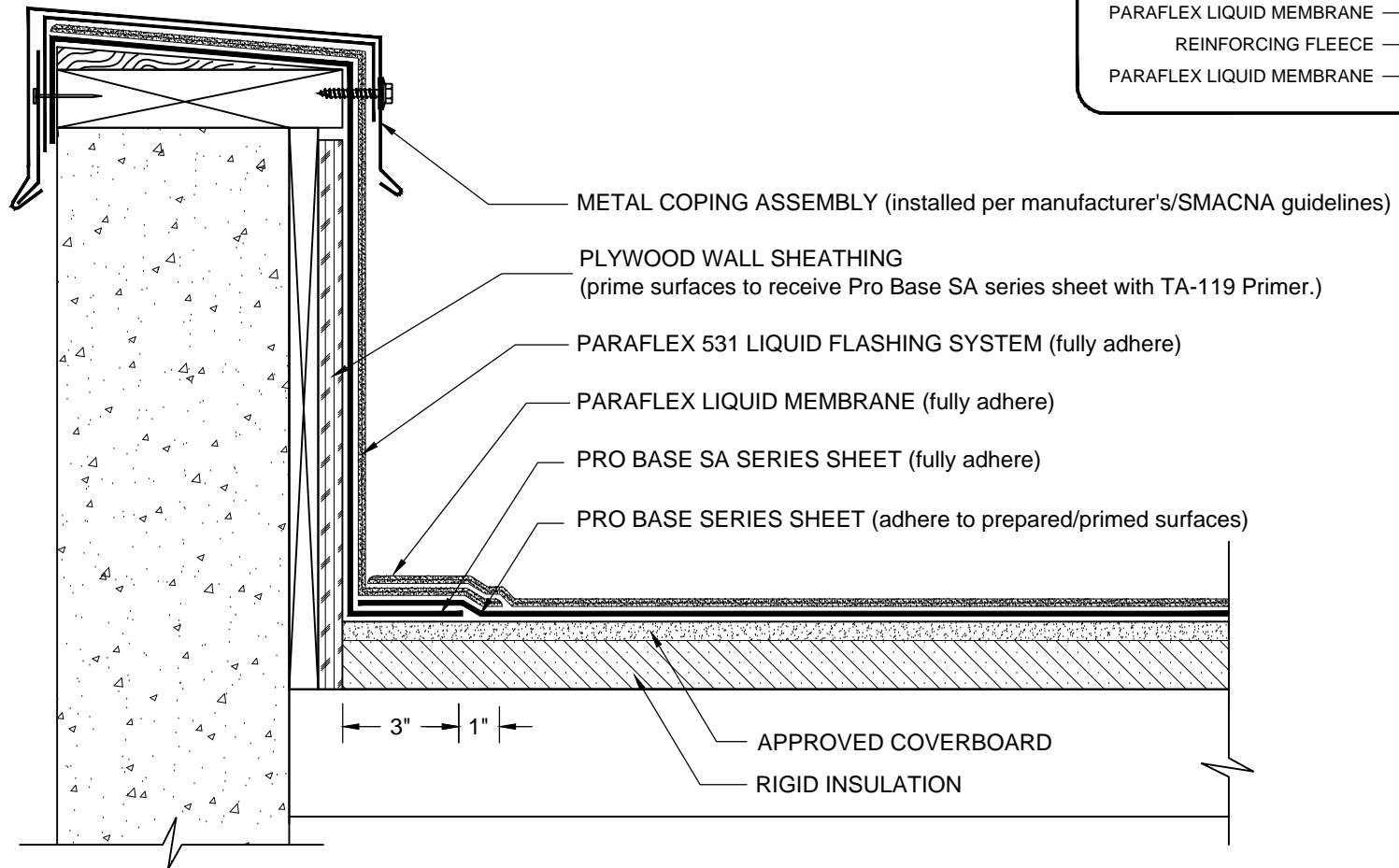


PARAPET WITH PLYWOOD SHEATHING

PARAFLEX LIQUID MEMBRANE - PRO BASE SERIES BASE PLY - RIGID INSULATION



NOTES:

1. REFER TO SIPLAST PREPARATION GUIDELINES FOR PROPER SURFACE TREATMENT OF ALL MATERIALS PRIOR TO APPLICATION OF PARAFLEX LIQUID MATERIALS.
2. THE CARPENTRY AND METAL WORK SHOWN DEPICTS SHOP FABRICATION AND JOB-SITE ASSEMBLY. THESE COMPONENTS SHOULD BE DESIGNED/FABRICATED/INSTALLED ACCORDING TO GENERALLY ACCEPTED INDUSTRY PRACTICES, STANDARDS, AND APPROVALS.
3. PARAFLEX CANNOT BE APPLIED IN THE ABOVE CONFIGURATION OVER MEMBRANES APPLIED IN SOLVENT-BASED ADHESIVES. CONTACT SIPLAST FOR FURTHER INFORMATION.
4. A NAILER AND TREATED WOOD CANT MAY BE REQUIRED AT THE BASE OF THE WALL FOR COMPLIANCE WITH SPECIFIC BUILDING CODES OR APPROVALS.
5. WHERE PRIMER IS INDICATED TO MAINTAIN PROPER ADHESION, TA-119 PRIMER IS REQUIRED FOR ALL PRO BASE SA SERIES FLASHING REINFORCING AND STRIPPING PLY APPLICATIONS. USE PA-1125 OR PA-917 LS PRIMER FOR ALL OTHER PRO BASE SERIES PRODUCTS THAT ARE NOT SELF-ADHESIVE. CONTACT SIPLAST FOR SPECIFIC REQUIREMENTS.
6. CONTACT SIPLAST FOR FURTHER INFORMATION ON SELECTING THE APPROPRIATE PRO BASE SERIES SHEET FOR A SPECIFIC APPLICATION.
7. PRIME THE BLEEDOUT AT SIDE AND END LAPS OF PRO BASE PLY SHEETS USING PRO PRIMER AC TO MAINTAIN A CONSISTENT AESTHETIC APPEARANCE OF THE FINISHED PARAFLEX SYSTEM.
8. REQUIREMENTS AND RECOMMENDATIONS DETAILED IN CURRENT SIPLAST SPECIFICATIONS AND THE PARAFLEX LIQUID MEMBRANE SYSTEM INSTALLERS GUIDE SHALL APPLY IN ADDITION TO THE ABOVE DRAWING.

CAUTION: SIPLAST RECOMMENDS THAT ALL PRACTICES PERTAINING TO NRCA CERTA GUIDELINES BE FOLLOWED WHEN TORCHING METHODS ARE EMPLOYED. THIS INCLUDES PERFORMING A FIRE WATCH FOLLOWING ANY TORCH APPLICATIONS. ALWAYS HAVE APPROVED FIRE-EXTINGUISHING EQUIPMENT NEARBY.

N.T.S

