



Proform Gravel Stop

ORDER/SPECIFICATION FORM

MODEL NUMBER

STANDARD FACE DIMENSIONS

- PF 300 PF 600
 PF 450 PF 800

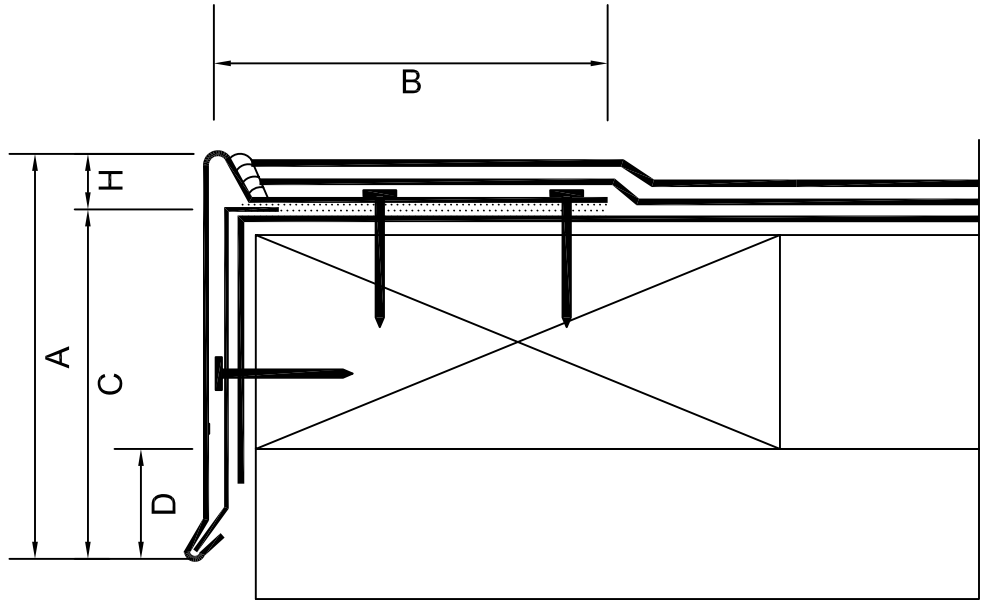
CUSTOM DIMENSIONS
 (FOR NON-STANDARD SIZES)

A = _____

B = _____

C = _____

H = _____



QUANTITY:

_____ FT. TOTAL PERIMETER

_____ PCS. STOCK @ 10'0"

_____ PCS STD. O.S. CORNER

_____ PCS STD. I.S. CORNER

_____ CUSTOM ACCESSORIES
 (attach sketch)

Standard Sizes

Fascia Model	Fascia Face Height "A"		Total Coverage "C"		Nailer Flange "B"		Coverage Below Nailer "D"		Cant Height "H"	
	in	mm	in	mm	in	mm	in	mm	in	mm
PF 300	3	76	2 ⁵ / ₁₆	51	3 ¹ / ₂	90	1 ¹ / ₁₆	25	7 ¹ / ₁₆	11
PF 450	4 ¹ / ₂	114	4 ¹ / ₁₆	102	3 ¹ / ₂	90	1 ¹ / ₁₆	25	7 ¹ / ₁₆	11
PF 600	6	152	5 ⁵ / ₁₆	127	3 ¹ / ₂	90	1 ¹ / ₁₆	25	7 ¹ / ₁₆	11
PF 800	8	203	7 ⁷ / ₁₆	178	3 ¹ / ₂	90	1 ¹ / ₁₆	25	7 ¹ / ₁₆	11

CAP MATERIAL

- ALUMINUM
 GALV. STEEL
 STAIN. STEEL

THICKNESS

- 0.032"
 0.040"
 0.050"
 24 GAUGE

FINISH

- COIL KYNAR
 SPRAY KYNAR
 MILL
 CLEAR ANODIZED
 BRONZE ANODIZED
 BLACK ANODIZED

SIPLAST PARAGUARD COLOR: SP _____

JOB NAME: _____ JOB NO: _____

LOCATION: _____

SHIP TO ADDRESS: _____

CONTRACTOR APPROVAL:

- APPROVED FOR FABRICATION
 APPROVED WITH CHANGES

 CONTRACTOR NAME

 CONTRACTOR REPRESENTATIVE

 DATE

 CONTRACTOR SIGNATURE