



Paraguard Drain Box

ORDER/SPECIFICATION FORM

DIMENSIONS

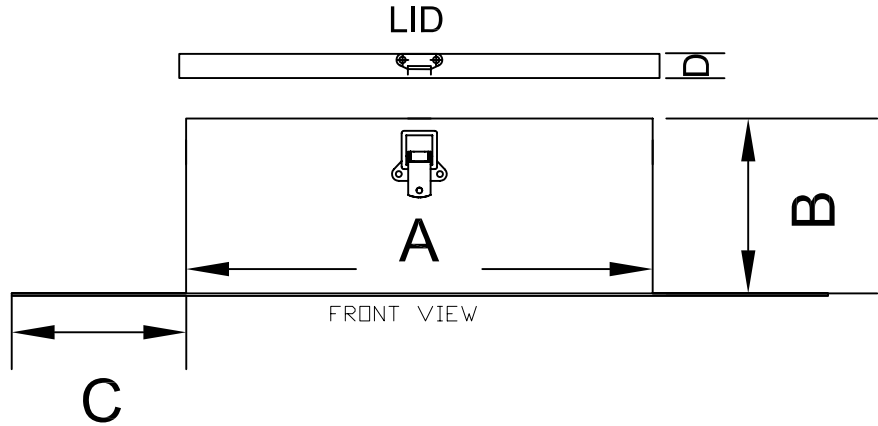
A = _____

B = _____

C = _____

D = _____

QUANTITY _____



NOTES:

CAP MATERIAL

- ALUMINUM
- STAIN. STEEL

THICKNESS

- 0.063"
- 0.080"
- 22 GAUGE
- 24 GAUGE

FINISH

- COIL KYNAR
- SPRAY KYNAR
- MILL
- CLEAR ANODIZED
- BRONZE ANODIZED
- BLACK ANODIZED

SIPLAST PARAGUARD COLOR: SP _____

JOB NAME: _____

JOB NO: _____

LOCATION: _____

SHIP TO ADDRESS: _____

CONTRACTOR APPROVAL:

APPROVED FOR FABRICATION

APPROVED WITH CHANGES

CONTRACTOR NAME

DATE

CONTRACTOR REPRESENTATIVE

CONTRACTOR SIGNATURE